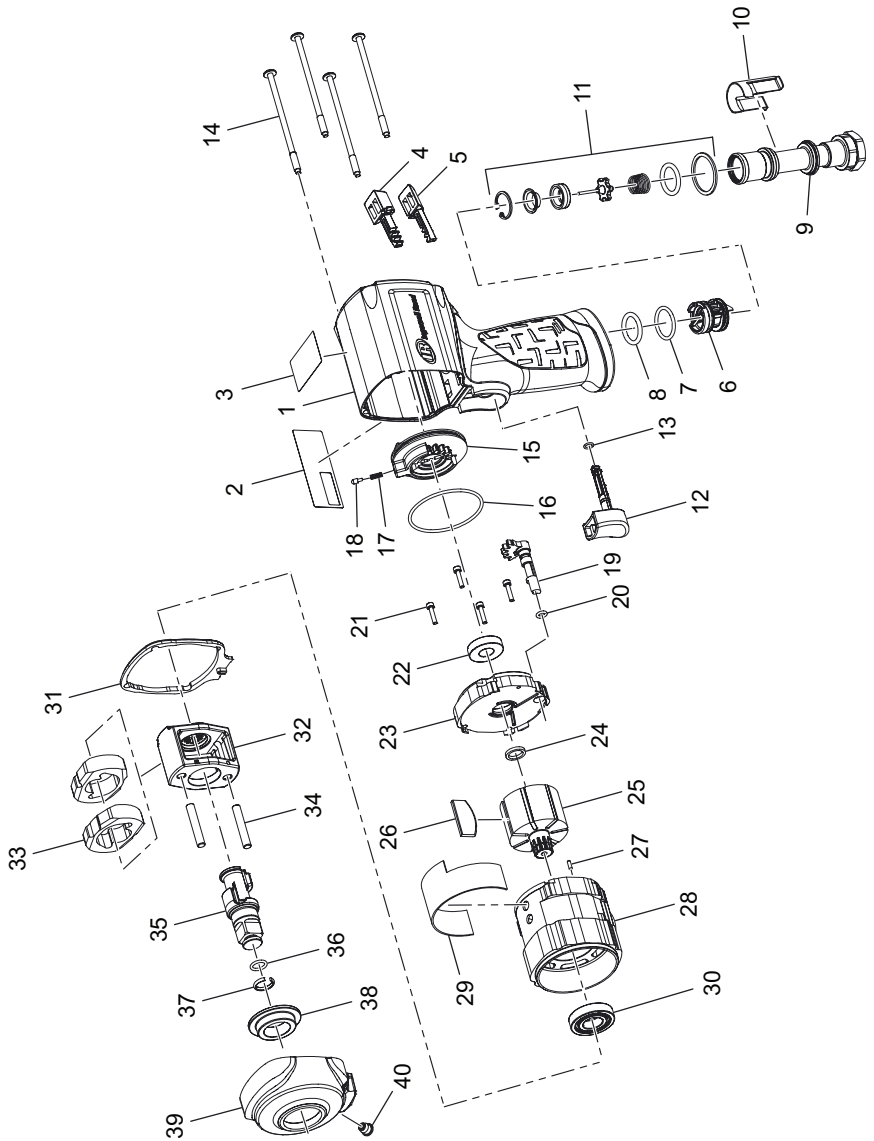


35MAX, 15QMAX and 36QMAX Air Impact Wrenches - Exploded View



(Dwg. 47520207001)



35MAX, 15QMAX and 36QMAX Air Impact Wrenches - Parts List

Item	Part Description	Part Number	(CCN)	Item	Part Description	Part Number	(CCN)
	Housing Assembly				Cylinder Assembly		
	for 35MAX	35MAX-A40	(47562149001)		for 35MAX and 15QMAX	35-A3	(47562157001)
	for 15QMAX	15QMAX-A40	(47562150001)		for 36QMAX	36-A3	(47609005001)
	for 36QMAX	36QMAX-A40	(36QMAX-A40)	27	Motor Alignment Pin	--	--
1	Housing	--	--	28	Cylinder	--	--
2	Nameplate Label	--	--	29	Silencer (for 15QMAX, 36QMAX)	15Q-311	(47559331001)
	for 35MAX	35MAX-300	(47533612001)	30	Ball Bearing, Front	4U-97	(03070927)
	for 15QMAX	15QMAX-300	(47524478001)	31	Gasket, Hammer Case	35-36	(47524968001)
	for 36QMAX	36QMAX-300	(36QMAX-300)		Hammer Mechanism Kit	35-THK1	(47562154001)
3	Warning Label	WARNING-27-99	(04666855)	32	Hammer Frame	--	--
	Button Kit	35-K75	(47562151001)	33	Hammer (2)	35-724	(47520211001)
4	Forward Button	--	--	34	Hammer Pin (2)	--	--
5	Reverse Button	--	--		Anvil Assembly		
	Reverse Valve Assembly	2131-A329	(04167896)		for 35MAX, 36QMAX (1/2" drive)	35-A726	(47533613001)
6	Reverse Valve	--	--		for 15QMAX (3/8" drive)	15-A626	(47539292001)
7	O-Ring, Reverse Valve (Bottom-Blue)	--	--	35	Anvil	--	--
8	O-Ring, Reverse Valve (Top-Black)	--	--		Socket Retainer Kit		
	Inlet Bushing Assembly	2135-D565A	(45531787)		for 35MAX, 36QMAX (1/2" drive)	2125QTi-K425	(80107733)
9	Inlet Bushing	--	--		for 35MAX, 36QMAX (1/2" drive, 10-pack)	2125QTi-K425-10	(47517616001)
10	Inlet Clip	2131-57	(04167862)		for 15QMAX (3/8" drive)	1702-K425	(47533407)
11	Inlet Parts Kit	2135-K303	(45535051)	36	O-Ring	--	--
	Washer	--	--	37	Socket Retainer	--	--
	O-Ring	--	--		Hammer Case Assembly	35-D727	(47533633001)
	Throttle Spring	--	--	38	Bushing, Hammer Case	--	--
	Throttle Valve	--	--	39	Hammer Case	--	--
	Valve Seat	--	--	40	Grease Fitting	131-188	(04700878)
	Seat Support	--	--		Tune-Up Kit	35-TK1	(47562155001)
	Retainer	--	--	7	O-Ring, Reverse Valve (Bottom-Blue)	--	--
	Trigger Assembly	2135-D93	(80096704)	8	O-Ring, Reverse Valve (Top-Black)	--	--
12	Trigger	--	--	11	Inlet Parts Kit	--	--
13	O-Ring, Trigger	--	--	16	O-Ring, Regulator Knob	--	--
14	Screw, Hammer Case (4)	2115-638	(80126170)	20	O-Ring, Regulator Valve	--	--
	Power Regulator Kit	35-K249	(47562152001)	27	Vane Pack (set of 7)	--	--
15	Regulator Knob	--	--	30	Ball Bearing, Front	--	--
16	O-Ring, Regulator Knob	--	--	31	Gasket, Hammer Case	--	--
17	Spring	--	--	*	Inlet Clip Removal Tool	2131-322	(04263745)
18	Spring Cap	--	--	*	Air Care Kit (grease gun, grease, oil)	105-LBK1	(04616090)
19	Regulator Valve	--	--	*	Grease (replacement tube for -LBK1)	105-4T	(04616116)
20	O-Ring, Regulator Valve	--	--	*	Air Tool Oil (4 oz. bottle)	10Z4	(03875671)
21	Screw, Motor (4)	35-639	(47524480001)	*	Grease (1 lb can)	105-1LB	(04279147)
	Rotor Assembly	35-A53	(47562156001)	*	Grease (8 lb can)	105-8LB	(04264875)
22	Ball Bearing, Rear	--	--	*	Grease Gun	R000A2-228	(03095015)
23	End Plate	--	--	*	Protective Tool Boot	35-BOOT	(47555720001)
24	Spacer	--	--				
25	Rotor	--	--				
26	Vane Pack (set of 7)	35-42-7	(47562153001)				

* Indicates not illustrated.

Parts and Maintenance

When tool life has expired, it is recommended that the tool be disassembled, degreased and parts separated by material for proper recycling.

Tool repair and maintenance should only be carried out by an authorized Service Center.

Refer all communications to the nearest **Ingersoll Rand** office or distributor.

Related Documentation

Manuals can be downloaded from ingersollrandproducts.com

For additional information, refer to:

Product Safety Information Manual 04580916.

Product Information Manual 47535589001.

Declaration of Conformity 47624080001.

